

CURRENT TRANSFORMERS

SPLIT CORE CURRENT TRANSFORMER

MODEL 4LSF

High Accuracy Revenue Grade Split Core Current Transformer

DESCRIPTION

The split core CTs are compact current transformers with high accuracy. The CTs are ideal for quick and easy installation without disconnecting cables during installation. Multiple installation mechanisms provide stable and durable current measurement.

FEATURES

- 333mV Output, Class 0.2 Accuracy
- Simple take apart style
- Can be installed on cable or bus
- 2.09" x 3.14" or 4.03" x 4.50" window sizes available
- Listed to UL2808, 61010-1, and CSA 22.2

SPECIFICATIONS

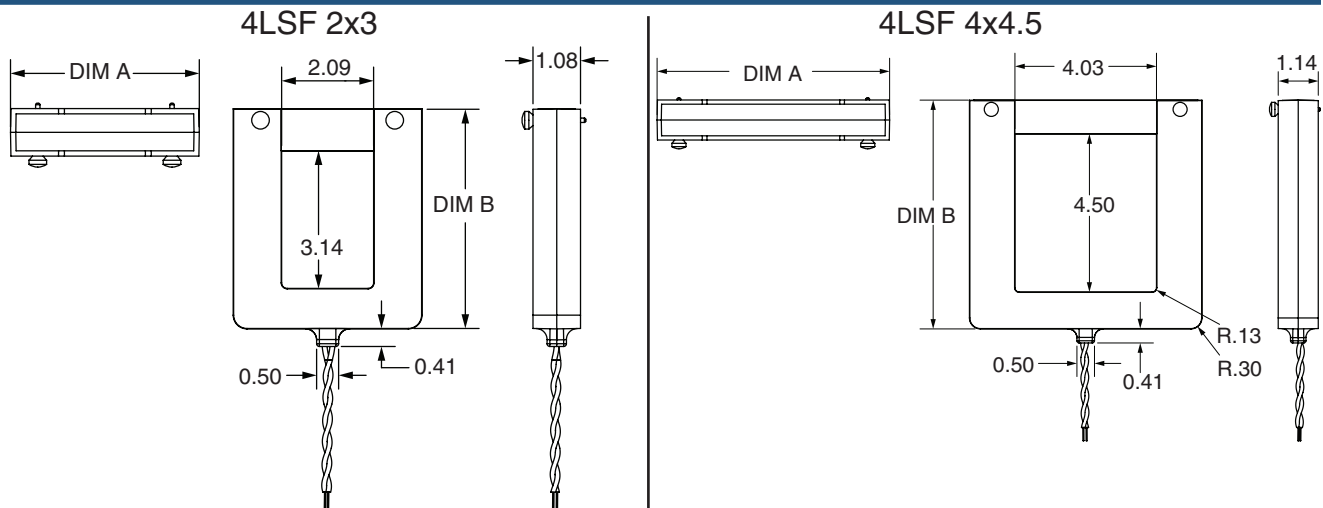
Rated Primary Current 400A to 2400A
 Rated Output 333mV
 Rating Factor 1.33 @ 30°C Ambient
 Voltage Rating 600Vac, rated CAT IV
 Operating Ambient Temperature -40°C to 55°C
 Accuracy IEC60044-1 0.2 Class
 Leads 8' 18AWG twisted

600V CLASS



CATALOG NUMBER	ACCURACY	INPUT RATING	OUTPUT	DIMENSIONS		WEIGHT
				DIM A	DIM B	
4LSF-400A:333mV-2x3	0.2	400A	0.333Vac	4.25	5.00	1.5 Lbs.
4LSF-500A:333mV-2x3	0.2	500A	0.333Vac	4.25	5.00	1.5 Lbs.
4LSF-600A:333mV-2x3	0.2	600A	0.333Vac	4.25	5.00	1.5 Lbs.
4LSF-800A:333mV-2x3	0.2	800A	0.333Vac	4.625	5.25	1.5 Lbs.
4LSF-1000A:333mV-2x3	0.2	1000A	0.333Vac	4.625	5.25	1.5 Lbs.
4LSF-1200A:333mV-4x4.5	0.2	1200A	0.333Vac	6.62	6.50	3.0 Lbs.
4LSF-1500A:333mV-4x4.5	0.2	1500A	0.333Vac	7.25	7.25	3.0 Lbs.
4LSF-1600A:333mV-4x4.5	0.2	1600A	0.333Vac	7.25	7.25	3.0 Lbs.
4LSF-2000A:333mV-4x4.5	0.2	2000A	0.333Vac	7.25	7.25	3.0 Lbs.
4LSF-2400A:333mV-4x4.5	0.2	2400A	0.333Vac	7.25	7.25	3.0 Lbs.

DIMENSIONS



All Dimensions In Inches

FLEX-CORE®

Div. Morlan & Associates, Inc.

4970 Scioto Darby Rd. Hilliard, Ohio 43026

WWW.FLEX-CORE.COM

sales@flex-core.com

PHONE (614) 889-6152

TECH. ASSISTANCE (614) 876-8308

FAX # (614) 876-8538

CURRENT TRANSFORMERS

SPLIT CORE CURRENT TRANSFORMER

MODEL 4LSF (6X8)

High Accuracy Revenue Grade Split Core Current Transformer

DESCRIPTION

The split core CTs are compact current transformers with high accuracy. The CTs are ideal for quick and easy installation without disconnecting cables during installation. Multiple installation mechanisms provide stable and durable current measurement.

600V CLASS



FEATURES

- 333mV Output, Class 0.2 Accuracy
- Simple take apart style
- Can be installed on cable or bus
- Listed to UL2808, 61010-1, and CSA 22.2

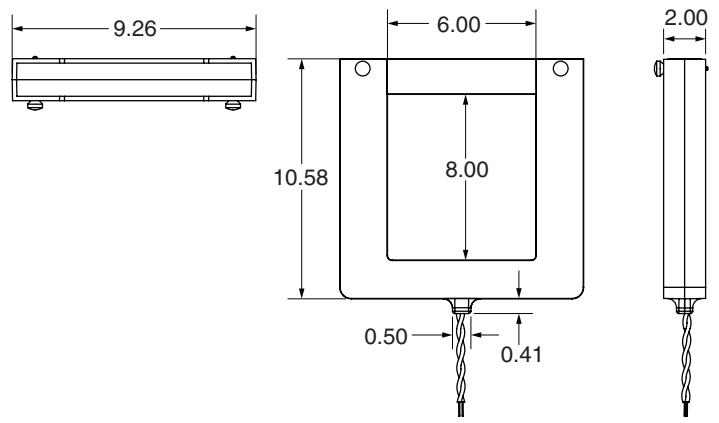
SPECIFICATIONS

Rated Primary Current 2500A to 6000A
 Rated Output 333mV
 Rating Factor 1.33 @ 30°C Ambient
 Voltage Rating 600Vac, rated CAT IV
 Operating Ambient Temperature..... -40°C to 55°C
 Accuracy IEC60044-1 0.2 Class
 Leads 8' 18AWG twisted

CATALOG NUMBER	ACCURACY	INPUT RATING	OUTPUT	WEIGHT
4LSF-2500A:333mV-6x8	0.2	2500A	0.333Vac	3.8 Lbs.
4LSF-3000A:333mV-6x8	0.2	3000A	0.333Vac	3.8 Lbs.
4LSF-3500A:333mV-6x8	0.2	3500A	0.333Vac	3.8 Lbs.
4LSF-4000A:333mV-6x8	0.2	4000A	0.333Vac	3.8 Lbs.
4LSF-5000A:333mV-6x8	0.2	5000A	0.333Vac	3.8 Lbs.
4LSF-6000A:333mV-6x8	0.2	6000A	0.333Vac	3.8 Lbs.

DIMENSIONS

4LSF 6" x 8"



All Dimensions In Inches

FLEX-CORE® Div. Morlan & Associates, Inc. 4970 Scioto Darby Rd. Hilliard, Ohio 43026	WWW.FLEX-CORE.COM sales@flex-core.com	PHONE (614) 889-6152 TECH. ASSISTANCE (614) 876-8308 FAX # (614) 876-8538
---	---	--